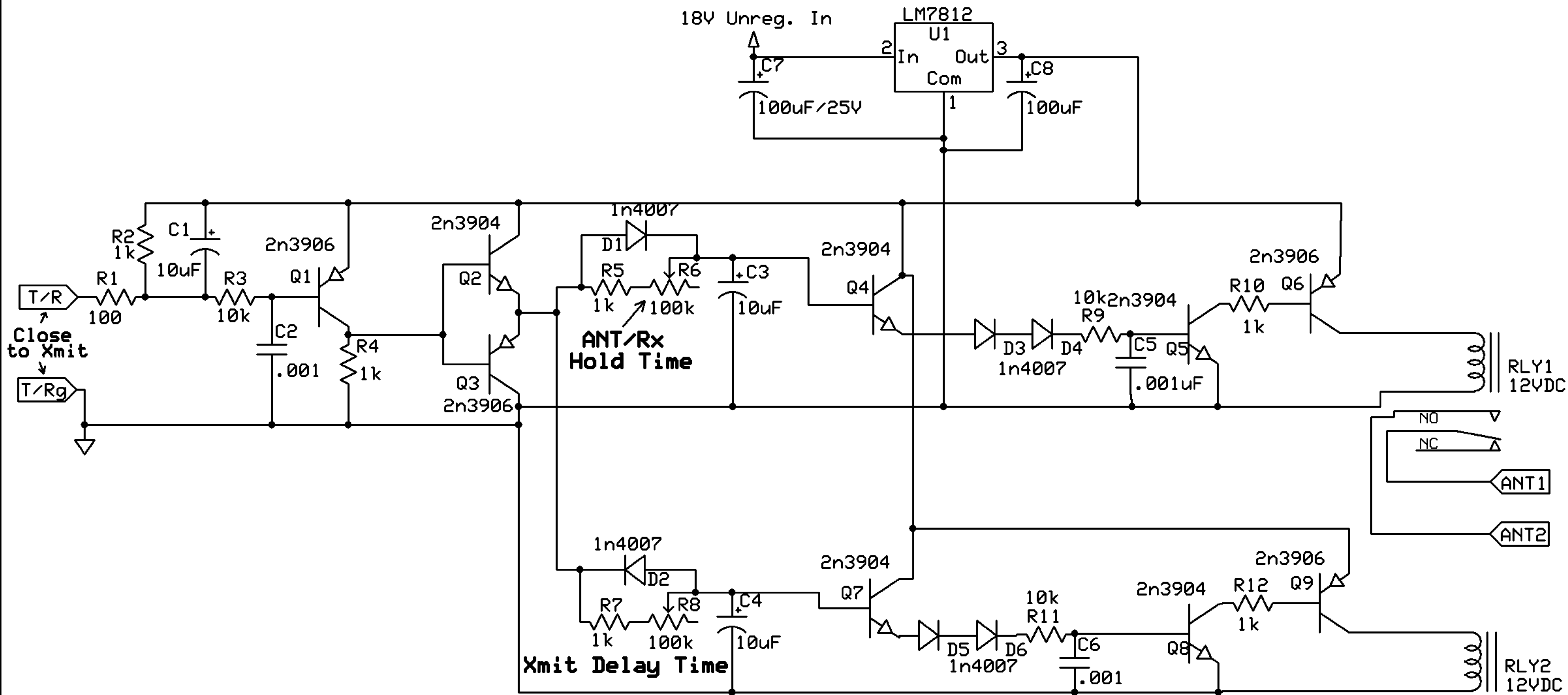


# Two Stage, adjustable Transmit/Receive Sequencer

Simple to build, simple to adjust !

By Steve, WA1QIX Rev B



Connections: ANTI/ANT2 is Sequence 1  
 Sequence 1: Immediate on, delayed off

Connections: XMT1/2 is Sequence 2  
 Sequence 2: Delayed on, immediate off

Notes: Sequence 1 - When you go from RX to TX, everything connected to sequence 1 will happen immediately. Connect ant. relay, RF drivers, etc. to this. When going from TX to RX, all connected here will continue for the Rx hold time.

Sequence 2 - When you go from RX to TX, everything connected to sequence 2 will be delayed by the Xmit Delay Time. Connect H.V. power supplies, etc. to this. When going from TX to RX, these circuits are immediately turned off.