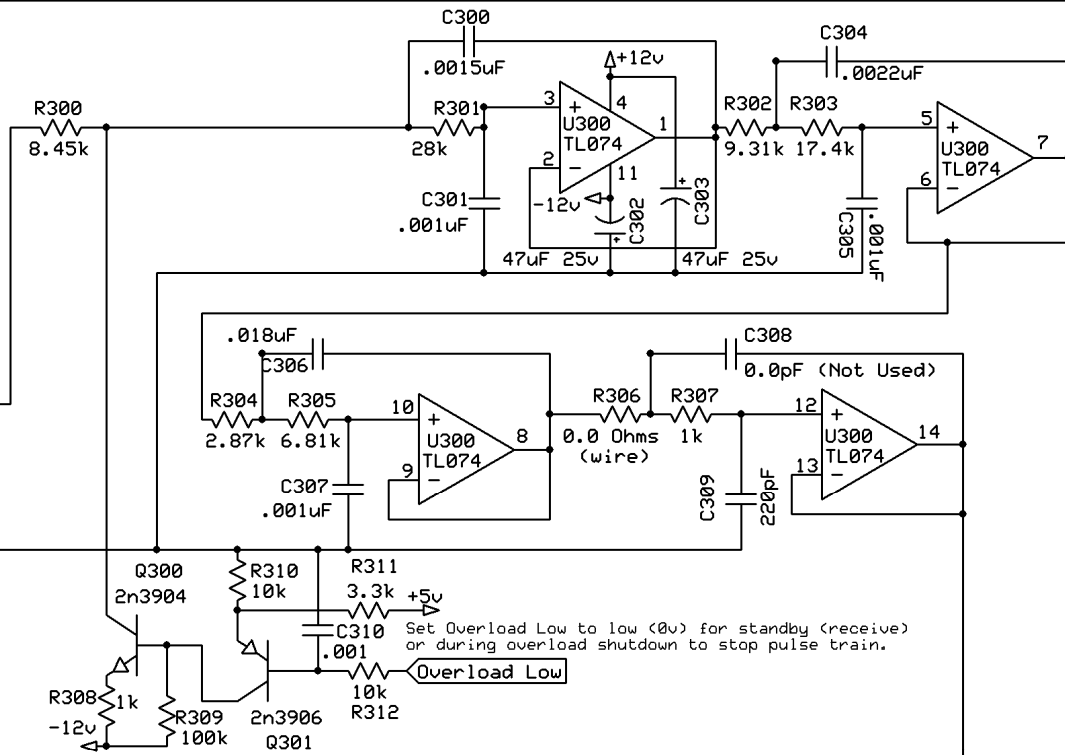
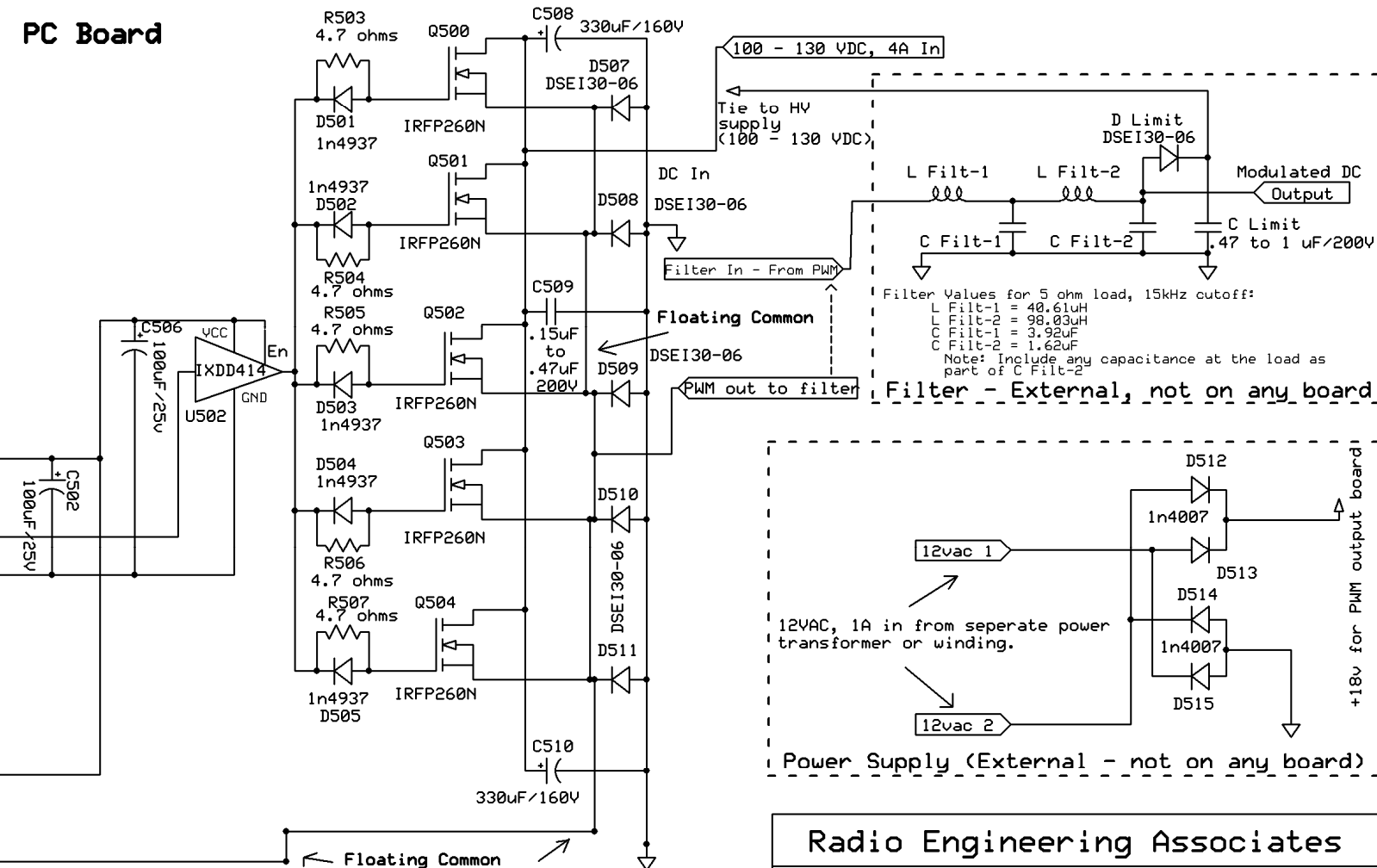


Board

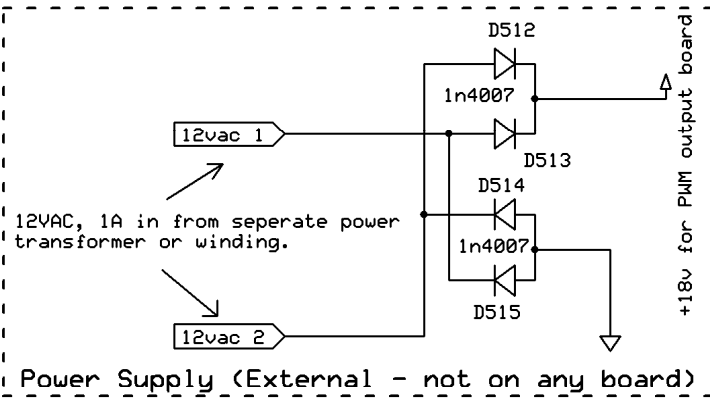


300 - Anti-Aliasing Filter (Main Board)
 Shown with 6 pole Filter Flat to 5.7kHz - See Text

PC Board



Filter Values for 5 ohm load, 15kHz cutoff:
 L Filt-1 = 40.61uH
 L Filt-2 = 98.03uH
 C Filt-1 = 3.92uF
 C Filt-2 = 1.62uF
 Note: Include any capacitance at the load as part of C Filt-2



Radio Engineering Associates		
Pulse Width Modulator		
S. Cloutier	Rev C - 2 2/2007	WA1QIX

Circuit & Methods Copyright 1998-2006 Radio Engineering Associates Inc. Use of this circuit by individuals for their own non-commercial use is permitted and encouraged. all other uses, reproduction, duplication, mass production or use for any commercial purpose is prohibited without written permission from the author.
Amplifier (Output Board)