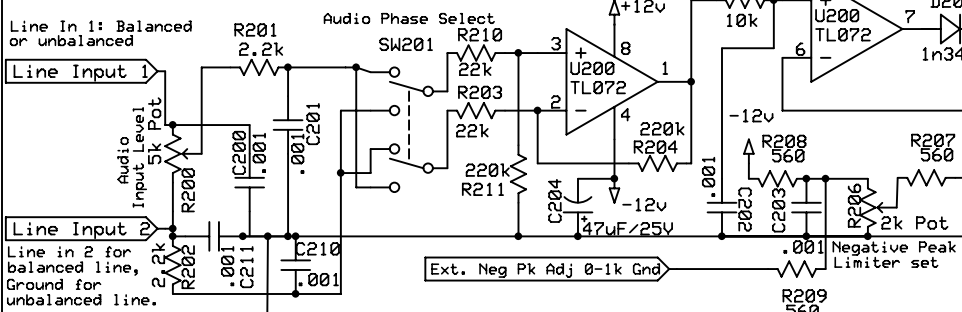


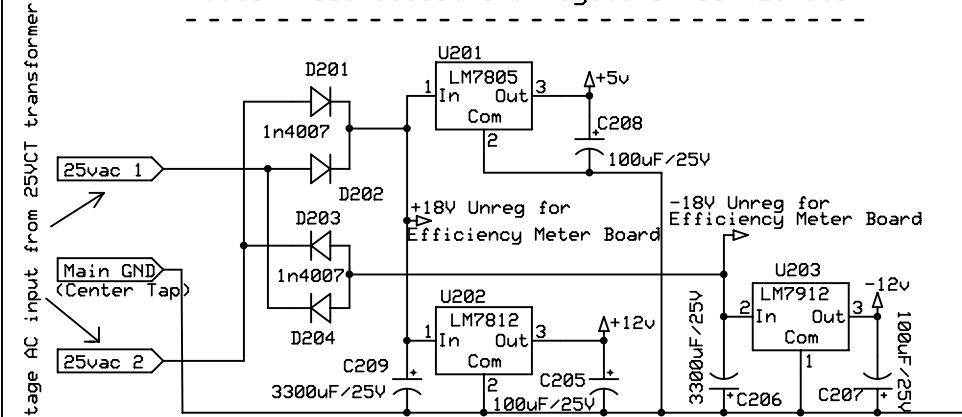
# PWM Generator Board

If a front panel or other input gain control is needed, use an additional potentiometer ahead of the Line Input. Do not outboard R200 or any other of the on-board controls.



## Audio Phase Select and Negative Peak Limiter

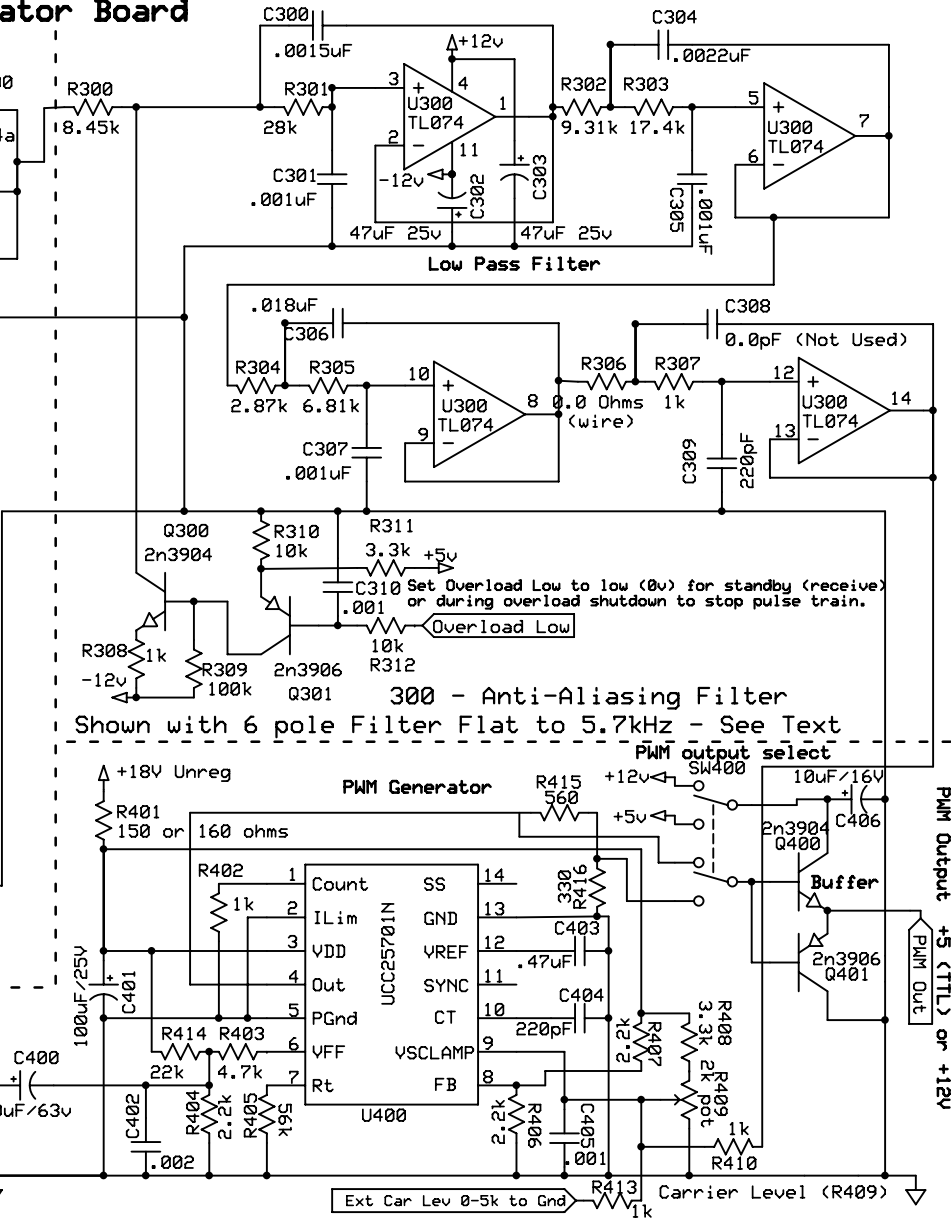
Note: For unbalanced line input connect line input 2 to Ground, use line input 1.



## 200 - Audio Input and Low Voltage Power Supplies

**Notes:** PWM Out: Voltage selectable, +12V or +5V TTL compatible, low impedance output. Should be terminated at remote end with a terminating resistor to ground - usually 50 ohms. This output may be used to drive shielded cables.

Select the proper PWM output voltage using the PwmOutSel switch before operating. Either a +5V TTL compatible output or +12V (higher voltage) output may be selected.



## 400 Pulse Width Modulation Generator

<b>Radio Engineering Associates</b>		
<b>Pulse Width Modulator</b>		
S. Cloutier	Rev D 11/2008	WA1QIX

Circuit & Methods Copyright 1998-2008 Radio Engineering Associates Inc. Use of this circuit by individuals for their own non-commercial use is permitted and encouraged. all other uses, reproduction, duplication, mass production or use for any commercial purpose is prohibited without written permission from the author.